

# Component List



Project: **HomLiCon LCH5LP**

Variant: **1.1**

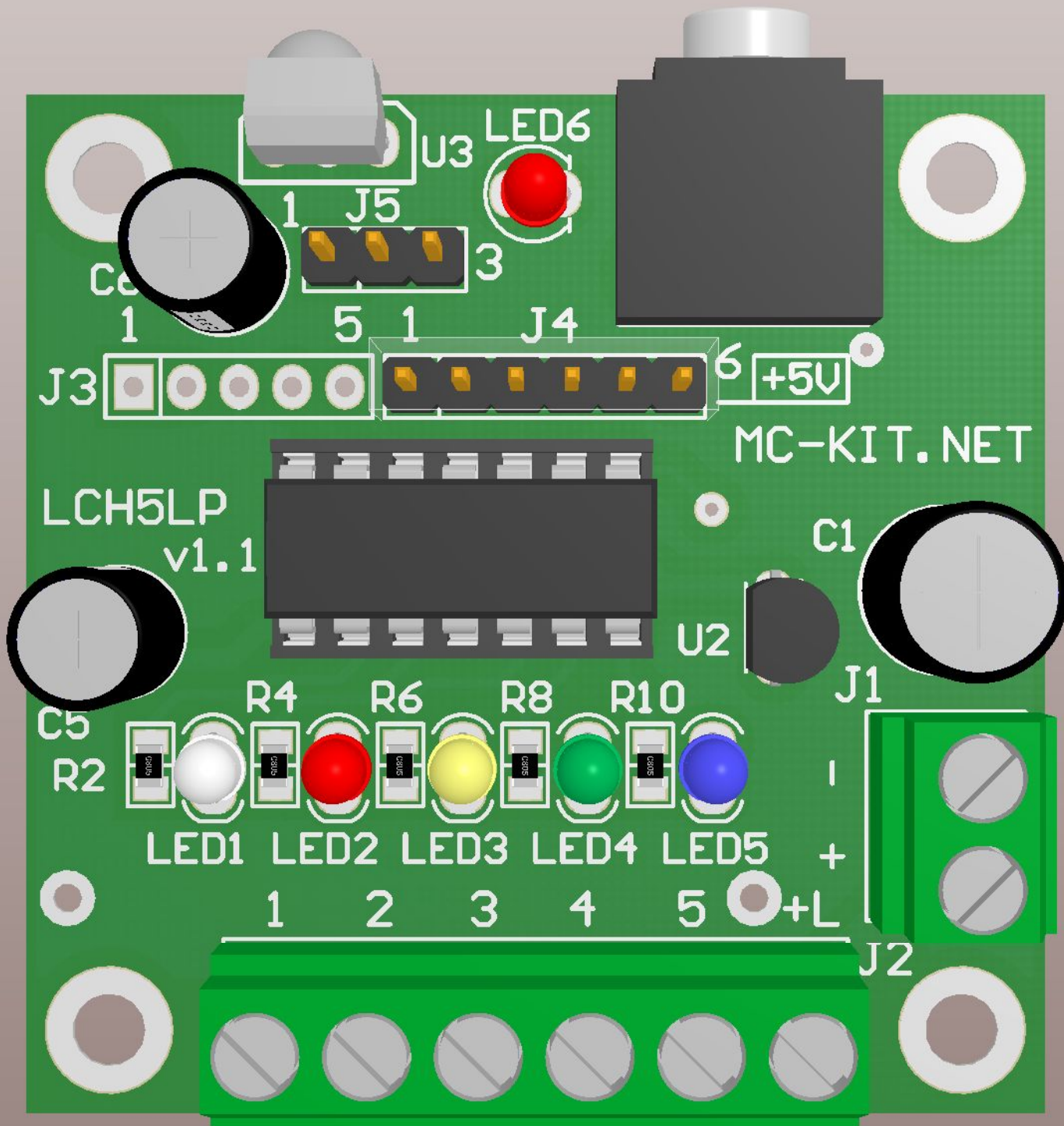
[www.mc-kit.net](http://www.mc-kit.net)

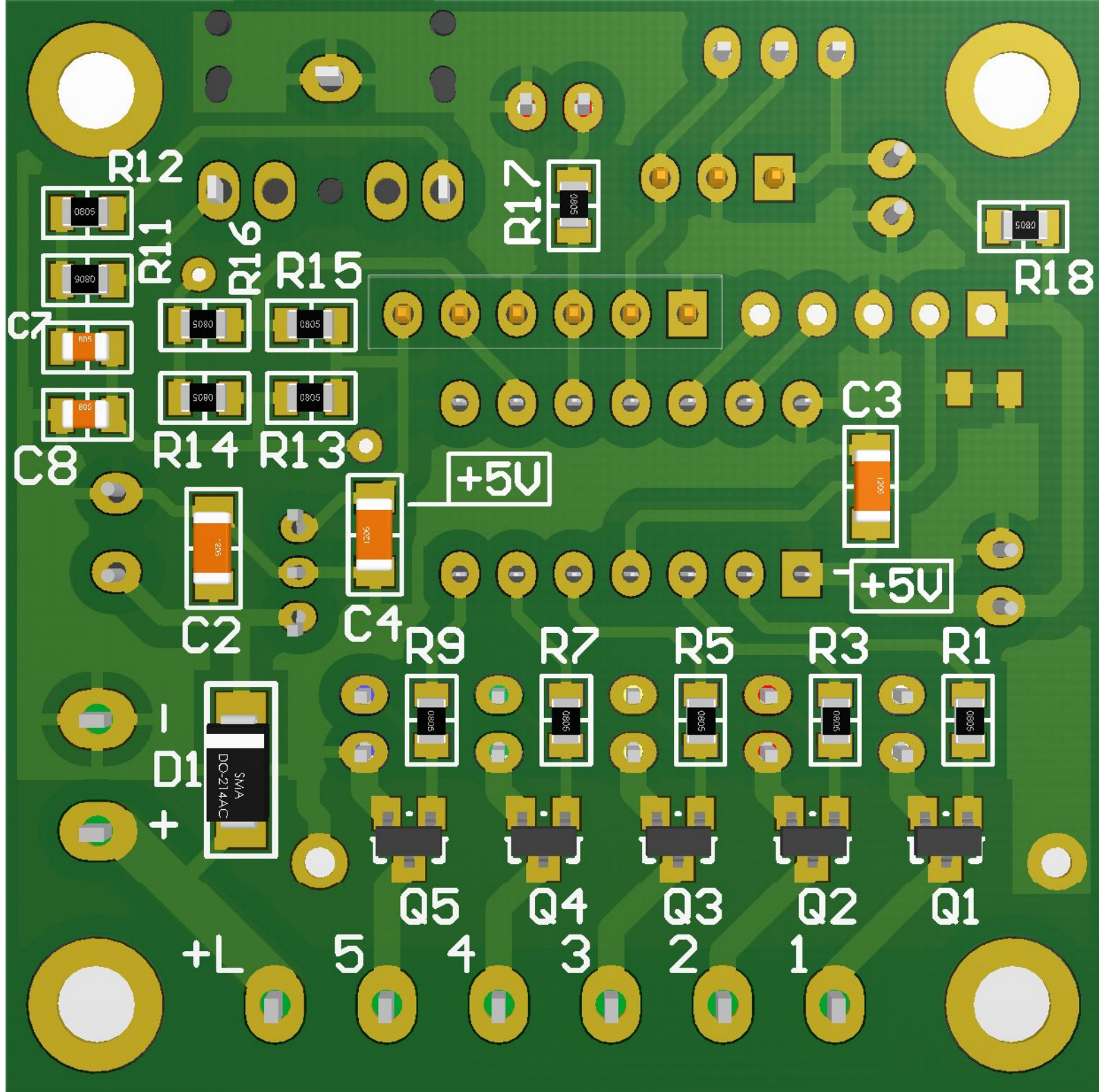
[www.homlicon.com](http://www.homlicon.com)

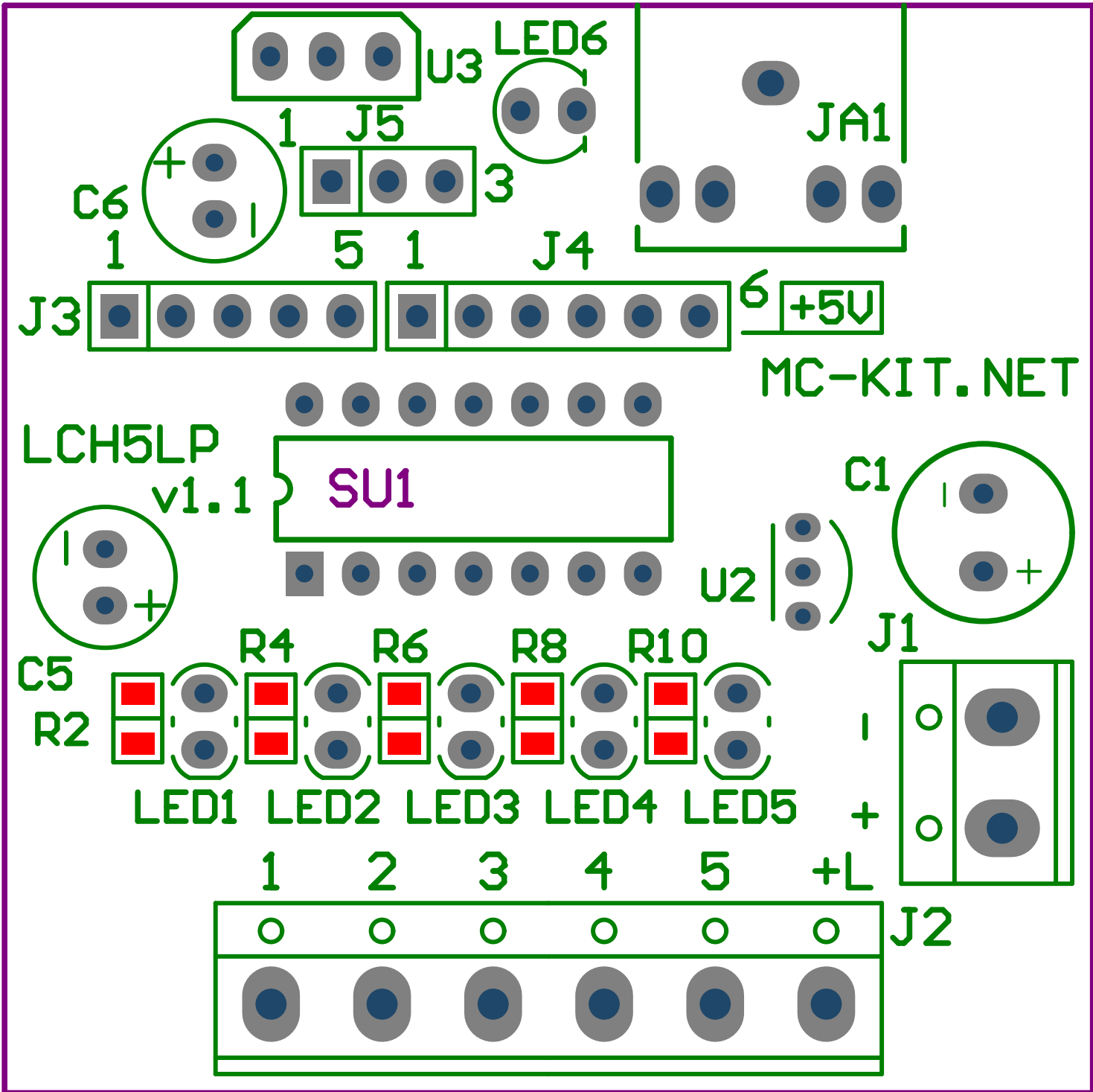
#	Designator	Description	Comment	Quantity
1	R18	Resistor SMD 0805	100	1
2	R1, R3, R5, R7, R9	Resistor SMD 0805	470	5
3	R6, R10, R17	Resistor SMD 0805	2.2K	3
4	R4, R11, R12	Resistor SMD 0805	4.7K	3
5	R2, R14	Resistor SMD 0805	10K	2
6	R8	Resistor SMD 0805	15K	1
7	R13, R15, R16	Resistor SMD 0805	39K	3
8	C8	Ceramic Capacitor SMD 0805	2.2nF	1
9	C7	Ceramic Capacitor SMD 0805	1uF	1
10	C2, C3, C4	Ceramic Capacitor SMD 1206	1uF	3
11	Q1, Q2, Q3, Q4, Q5	MOSFET N-channel transistor SMD SOT-23	MOSFET-N_SMD	5
12	D1	1 Amp General Purpose Rectifier SMD	S1M	1
13	SU1	Socket DIP14	Socket DIP14	1
14	JA1	Jack Socket, 3.5mm	JACK AUDIO 3.5mm	1
15	LED1	LED Diode	LED WHITE	1
16	LED2	LED Diode	LED RED	1
17	LED3	LED Diode	LED YELLOW	1
18	LED4	LED Diode	LED GREEN	1
19	LED5	LED Diode	LED BLUE	1
20	LED6	LED Diode	LED RED	1
21	U2	3-Terminal 0.1 A Positive Voltage Regulator	78L05	1
22	J1	Terminal Blocks 5mm 2pin	CON_2P	1
23	J2	Terminal Blocks 5mm 6pin	CON_6P	1
24	J4	Single Row Pin Header 6pin	Header_6P	1
25	J5	Single Row Pin Header 3pin	Header_3P	1
26	C5, C6	Electrolytic Capacitor	100uF	2
27	C1	Electrolytic Capacitor	330uF	1
28	U3	Infrared Receiver Module	VS1838B	1
29	U1	8-Bit CMOS Microcontroller, 14-Pin DIP14	PIC16F1824-IP	1

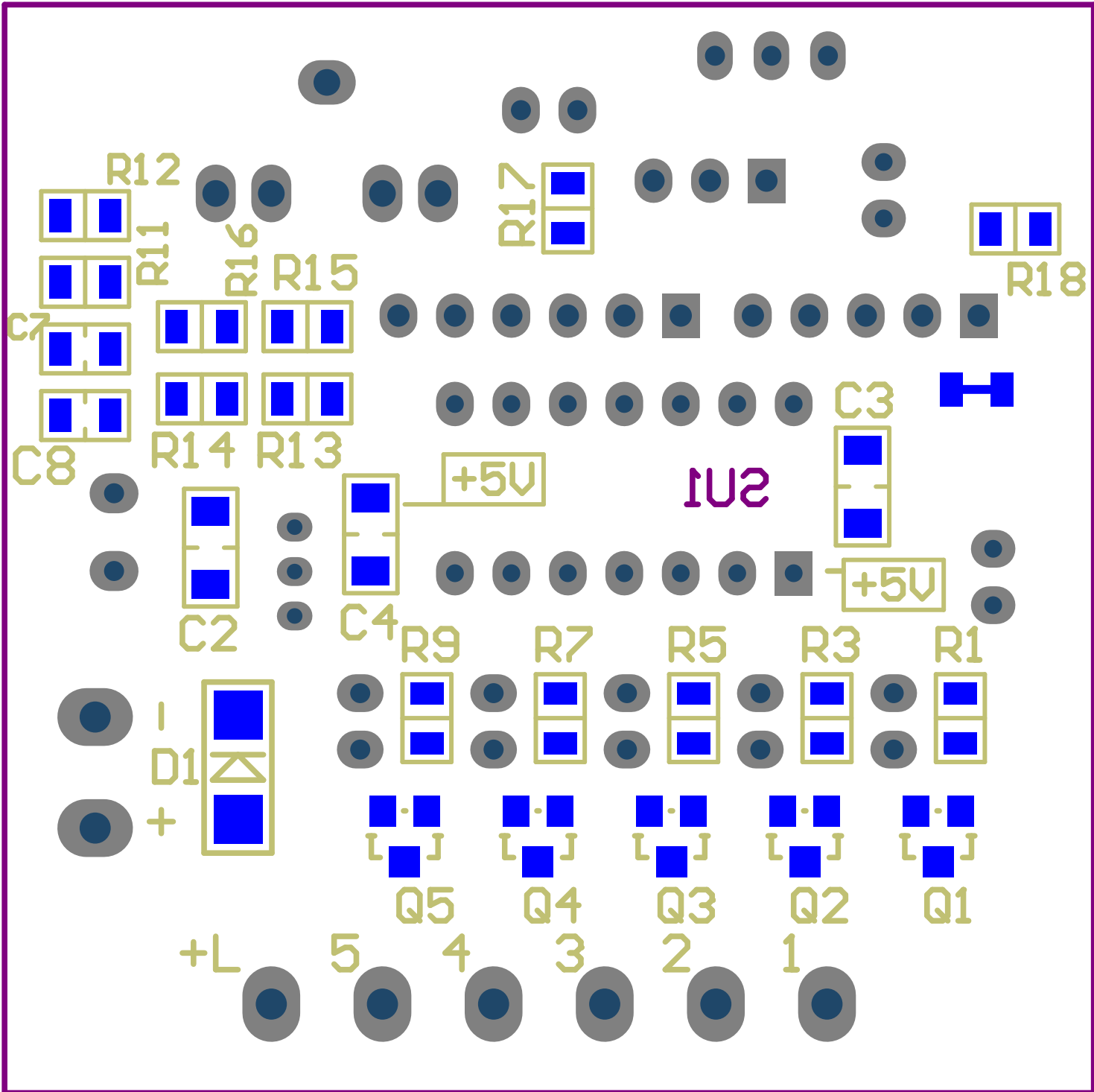
Approved

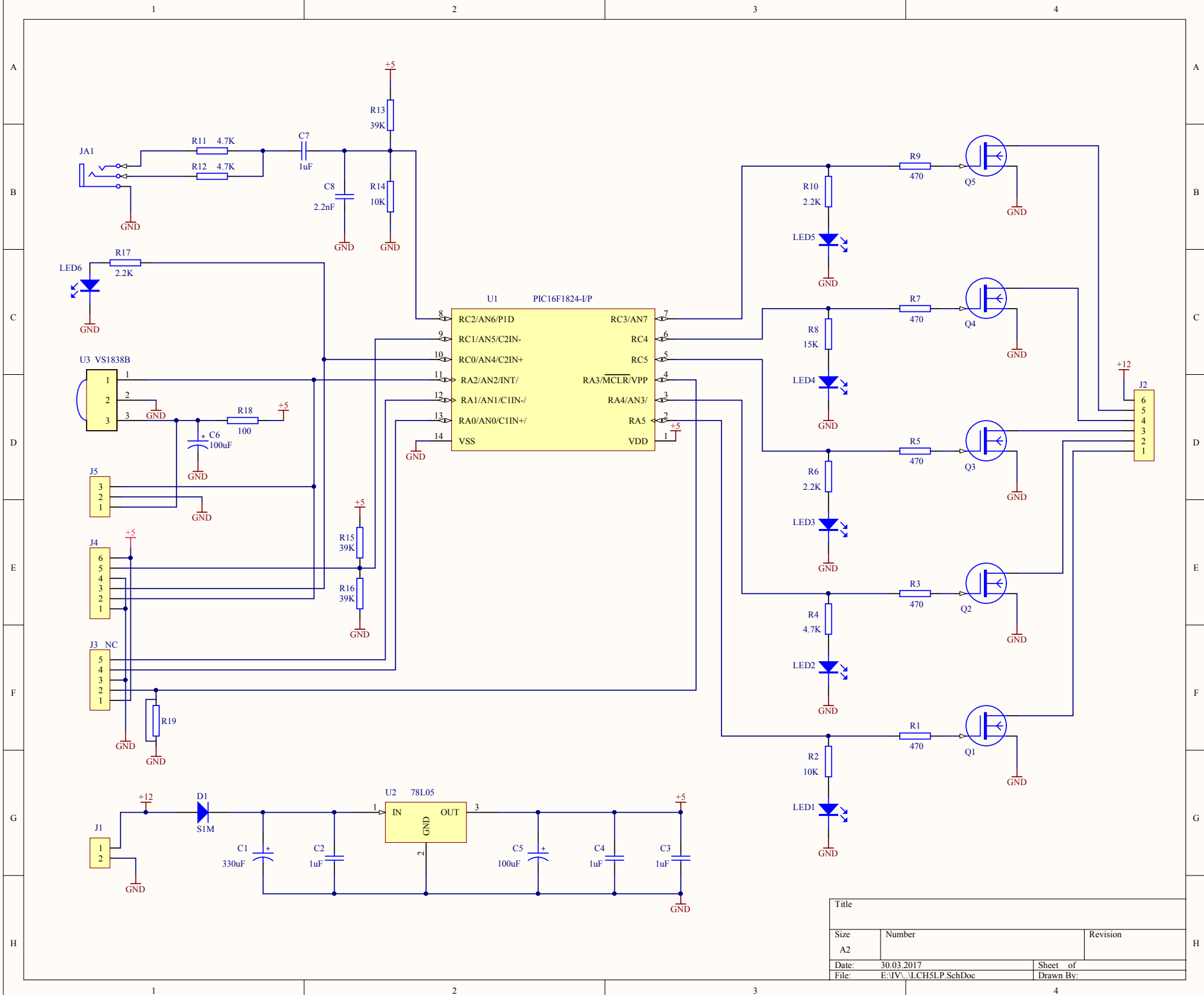
47











Title		
Size	Number	Revision
A2		
Date:	30.03.2017	Sheet of
File:	E:\JV\ALCH5LP.SchDoc	Drawn By: